

ATEM 1 M/E Production Studio 4K



The advanced ATEM 1 M/E Production Studio 4K model switches between SD, HD or Ultra HD video standards so you can connect a wide range of video sources such as cameras, disk recorders and computers. Featuring 10 inputs, chroma keys, transitions, media pool, 4 upstream keyers, downstream keyers, audio mixer, multi view, full motion DVE, stinger transitions, large media pool with full motion clips and 3 auxiliary outputs!

\$2,495

Connections

Total Video Inputs

11 with 10 active.

Total Video Outputs

10

Total Aux Outputs

3

SDI Rates

270Mb, 1.5G, 3G, 6G

Total Audio Inputs

2 x XLR. 2 x RCA.

Total Audio Outputs

2 x XLR Program.

Timecode Connections

None

Reference Input

Tri-Sync or Black Burst.

Video Input Re-Sync

On all 10 inputs.

SDI Video Input

10 x 10-bit SD/HD/Ultra HD 4K switchable. 2 channel embedded audio.

HDMI Video Input

1 x HDMI type A. 10-bit SD/HD/Ultra HD 4K switchable. 2 channel embedded audio.

Analog Audio Output

2 x XLR.

SDI Audio Output

2 Ch embedded into SDI output on all outputs.

SDI Program Output

2 x 10-bit SD/HD/Ultra HD 4K switchable.

HDMI Program Output

1 x HDMI type A, 10-bit SD/HD/Ultra HD 4K switchable.

Down Converted SDI

Program Output

1 x 10-bit (Ultra HD 4K to HD)

SDI Preview Output

1 x 10-bit SD/HD/Ultra HD 4K switchable.

SDI Aux. Output

3 x 10-bit SD/HD/Ultra HD 4K switchable.

Quantity of Multi Views

1

Multi View Outputs

1 x SDI and 1 x HDMI.

Control Panel Connection

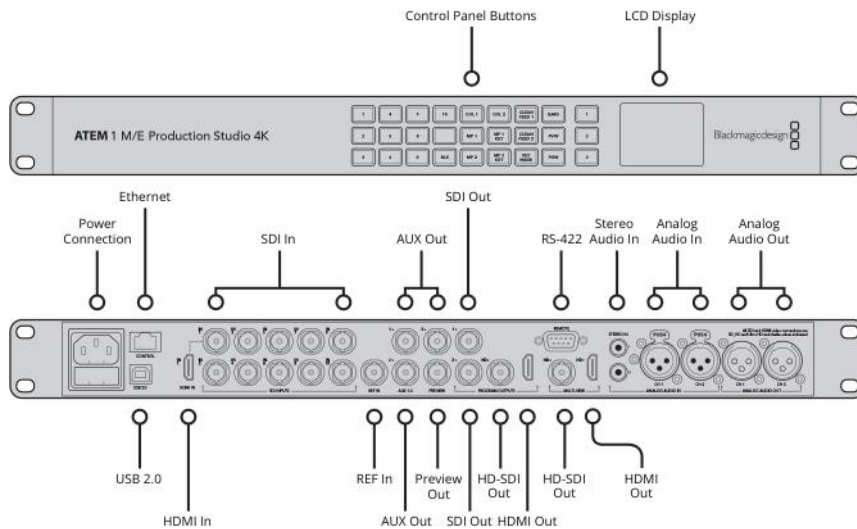
Ethernet supports 10/100/1000 BaseT. Allows direct connection between panel and chassis, or via network.

Tally Output

Added via ethernet connection to Blackmagic Design GPI and Tally Interface product. (Not included.)

Computer Interface

1 x USB 2.0 port.



Standards

SD Format Support

525i59.94 NTSC, 625i50 PAL

HD Format Support

720p50, 720p59.94
 1080p23.98, 1080p24, 1080p25,
 1080p29.97, 1080p50, 1080p59.94
 1080i50, 1080i59.94

Ultra HD Format Support

2160p23.98, 2160p24, 2160p25,
 2160p29.97

SDI Compliance

SMPTE 259M, SMPTE 292M, SMPTE
 424M.

Video Sampling

4:2:2.

Color Precision

10-bit

Color Space

REC 601, REC 709, REC 2020.

HDMI Input Resolutions

for Computers

720 x 480i 59.94Hz, 720 x 576i 50Hz,
 1280 x 720 59.94Hz, 1280 x 720 50Hz,
 1920 x 1080 50Hz,
 1920 x 1080 59.94Hz,
 3840 x 2160 23.98Hz,
 3840 x 2160 24Hz, 3840 x 2160 25Hz,
 3840 x 2160 29.97Hz.

Product Specifics

Upstream Keys

4

Downstream Keys

2

Chroma Keys

4

Linear/Luma Keys

7

Transition Keyer (Stinger/DVE)

1 and 1

Total Number of Layers

8

Pattern Generators

7

Color Generators

2

DVE with 3D Borders & Drop Shadow

1

Control Panel Compatibility

ATEM 1 M/E Broadcast Panel preferred. Compatible with ATEM 2 M/E Broadcast Panel. Includes ATEM Software Control Panel.

Media Player

Media Players

2

Maximum Clip Length in 720 HD

1600 frames.

Maximum Clip Length in NTSC/PAL

3600 frames.

Channels

Fill and key for each Media Player.

Maximum Clip Length in 1080 HD

720 frames.

Media Pool Still Image Format

PNG, TGA, BMP, GIF, JPEG and TIFF.

Media Pool Still Image Capacity

32 with fill and key.

Maximum Clip Length in

Ultra HD

180 frames

Media Pool Video File Format

TGA Sequence.

Media Pool Clip Capacity

2 with fill and key.

Media Pool Audio File Format

WAV, MP3 and AIFF.

Multi View Monitoring

Multi View Monitoring

1 x 10 views.

Tally

Red for program and green for preview indication.

Windows Source Labels

Yes

Routable Windows

8

Multi View Video Standard

HD

Display

Interface

Minimum monitor resolution of 1366 x 768.

Front Panel

Built in LCD monitor for video and 42 LED buttons for Aux switching.

Processing

Colorspace Conversion

Hardware based real time.

Audio Mixer

12 input x 2 channel mixer.
Selectable On/Off/Audio-Follow-Video.
Level and Peak metering.
Master gain control.
Analog outputs may be used for separate monitoring.

4K to HD Down Conversion

Yes, program x 1.

Processing Delay

< 2 Lines.

Software

Control Panel Included

ATEM Software Control Panel included free for Mac OS X 10.10 Yosemite, Mac OS X 10.11 El Capitan or later and Windows 8.1 64-bit or Windows 10 64-bit.

Software Updates

Using USB 2.0 connection directly connected to Mac OS X or Windows computers. Includes ATEM Switcher Utility.

Configuration

Set via ATEM Software Control Panel, excluding ATEM chassis IP address which is set via the ATEM Switcher Utility connected via USB to chassis.

Operating Systems



Mac OS X 10.10 Yosemite,
Mac OS X 10.11 El Capitan
or later.



Windows 8.1 64-bit or
Windows 10 64-bit.

Physical Specifications



Physical Installation

Physical Installation

1 Rack Unit Size.

Environmental Specifications

Operating Temperature

0° to 40° C (32° to 104° F)

Storage Temperature

-20° to 60° C (-4° to 140° F)

Relative Humidity

0% to 90% non-condensing

What's Included

ATEM 1 M/E Production Studio 4K
SD card with software and manual

Warranty

12 month Limited Manufacturer's Warranty.

All items on this website are copyright Blackmagic Design Pty. Ltd. 2017, all rights reserved.
All trademarks are property of their respective owners. MSRP excludes sales taxes/duties and shipping costs.

Blackmagic Design Authorized Reseller