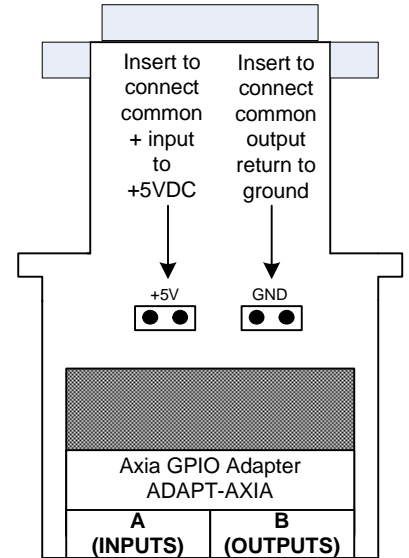
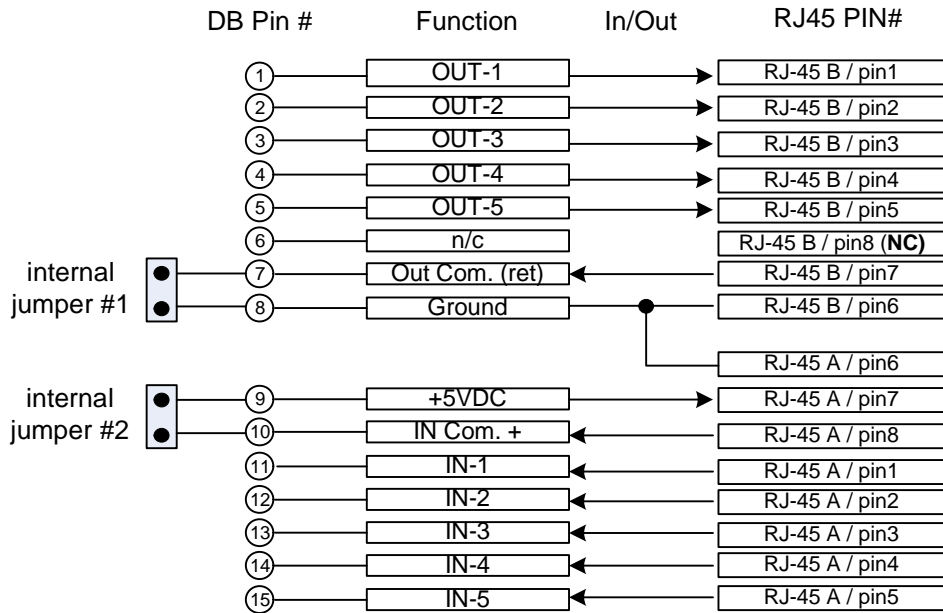


ADAPT-AXIA

Axia GPIO Node Adapter for StudioHub+ Remote Control
with internal relay output and opto input biasing jumpers
 with +5VDC available on RJ-45 connector A (inputs)



Dual RJ45 Remote Adapter

DB Pin #	RJ-45 / Pin #	Function	Axia Function		
			Line Profile	Mic Profile	C/R Profile
1	RJ-45 B/PIN 1	Out 1	On Lamp	On Lamp	C/R On Air Lamp
2	RJ-45 B/PIN 2	Out 2			
3	RJ-45 B/PIN 3	Out 3			
4	RJ-45 B/PIN 4	Out 4	Start Pulse	Cough Lamp	Dump Enabled
5	RJ-45 B/PIN 5	Out 5	Stop Pulse	Not Used	Talk to C/R Lamp
6	RJ-45 B/PIN 8	n/c			
7	RJ-45 B/PIN 7	Out Common Return	Out Common	Out Common	Out Common
8	RJ-45 B/PIN 6	Ground	Ground	Ground	Ground
9	RJ-45 A/PIN 6	Ground	Ground	Ground	Ground
10	RJ-45 A/PIN 7	+5V Power Source			
11	RJ-45 A/PIN 8	In Common +			
12	RJ-45 A/PIN 1	In 1	On Command	On Command	Mute C/R Command
13	RJ-45 A/PIN 2	In 2	Off Command	Off Command	DIM C/R Command
14	RJ-45 A/PIN 3	In 3			
15	RJ-45 A/PIN 4	In 4			
16	RJ-45 A/PIN 5	In 5	Ready Lamp	Not Used	Not Used



The Studio Wiring Solution from **radioSHACK**

601 Heron Drive
 Logan Township, NJ 08085
 Phone: 856-467-8000
<http://www.studiohub.com>