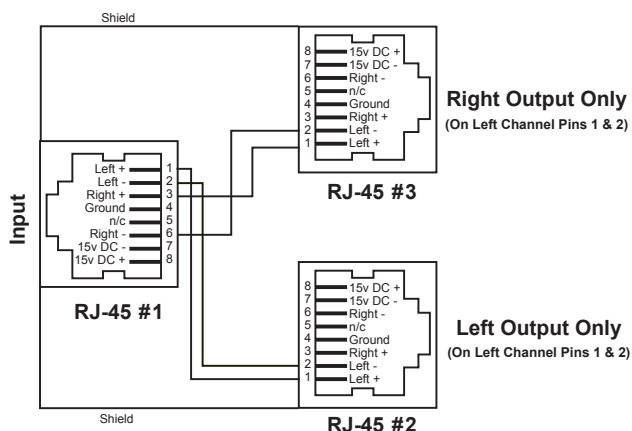
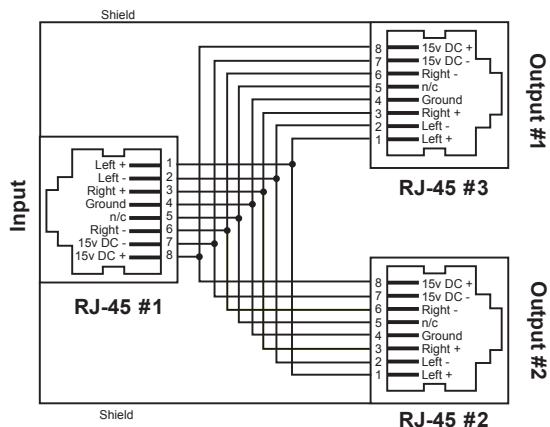


# StudioHub+ Adapter Combiners / Attenuator / Summing Schematics

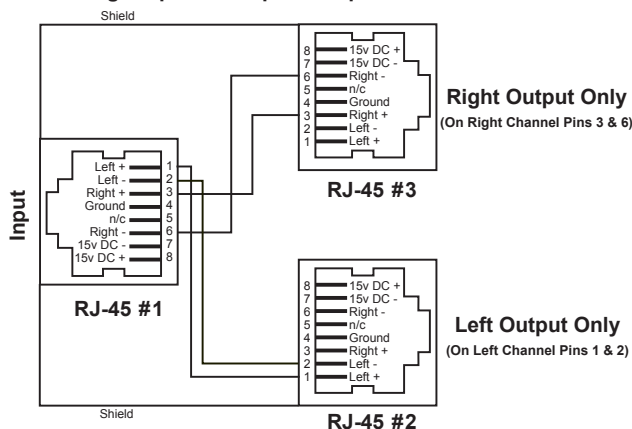
**Left-Left Splitter Adapter RS p/n ADAPT-L/L**



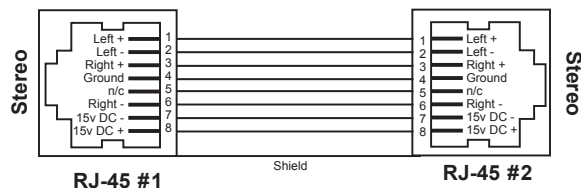
**Powered T Adapter RS p/n ADAPT-PWR**



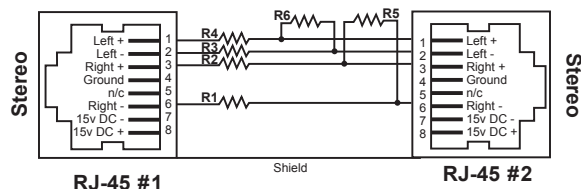
**Left-Right Splitter Adapter RS p/n ADAPT-L/R**



**Coupler Adapter RS p/n ADAPT-COUPLER**  
Utilized to connect (splice) two male RJ-45 connectors

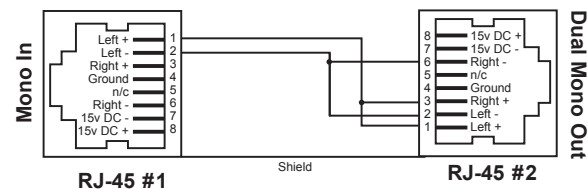


**In-Line Attenuator Pad RS p/n ADAPT-ATTEN10/15/20**  
Available as 10,15, or 20dB Attenuation

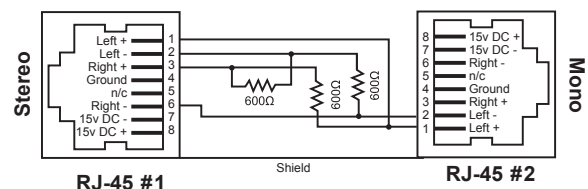


	R1	R2	R3	R4	R5	R6
<b>10dB Attenuation</b>	1kΩ	1kΩ	1kΩ	1kΩ	1kΩ	1kΩ
<b>15dB Attenuation</b>	1kΩ	1kΩ	1kΩ	1kΩ	475Ω	475Ω
<b>20dB Attenuation</b>	1kΩ	1kΩ	1kΩ	1kΩ	221Ω	221Ω

**Mono Adapter RS p/n ADAPT-MONO**  
Sends left input to left+right output (dual mono)



**In-Line Summing Pad RS p/n ADAPT-SUM**  
Sends left + right to left only (via lattice network)



**NOTE:**

Pad can be utilized in either direction.  
(To mix stereo to mono or parallel a mono input to dual mono out.)  
A 6dB loss is created in either direction.