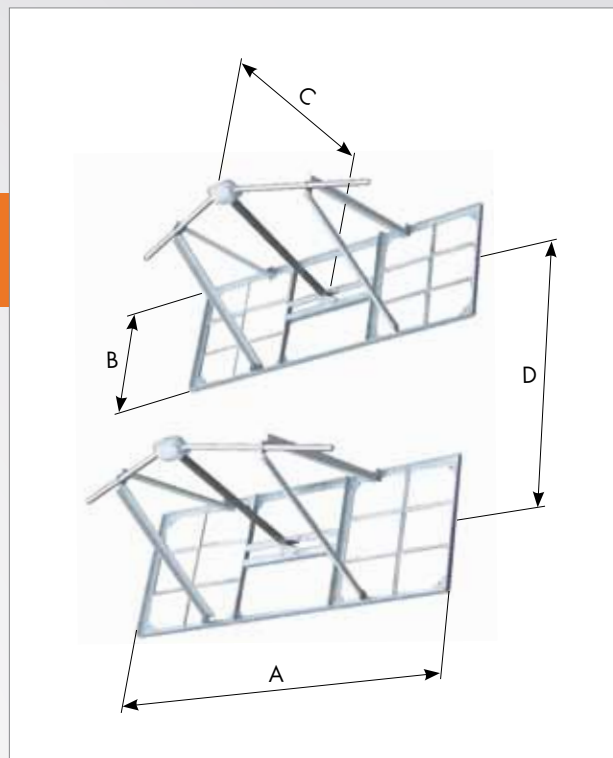


1VTV-04/.C

VHF PANEL ANTENNA

FEATURES

- horizontal polarization
- band I° panel 47 ÷ 68 MHz
- 6.5 dB gain
- directional pattern
- suitable for triangular towers
- stainless steel dipoles



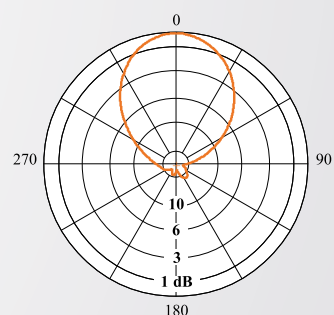
ELECTRICAL DATA

ANTENNA TYPE	1VTV-04/2C	1VTV-04/3C	1VTV-04/4C
FREQUENCY RANGE	47÷54 MHz (channel 2)	54÷61 MHz (channel 3)	61÷68 MHz (channel 4)
IMPEDANCE	50 ohm		
CONNECTOR	2 x 7/8" EIA		
MAX POWER	2 x 2.5 kW		
VSWR	≤ 1.15		
POLARIZATION	Horizontal		
GAIN (referred to half wave dipole)	6.5 dB		
HALF POWER BEAMWIDTH	E-Plane ± 38° H-Plane ± 27°		
LIGHTNING PROTECTION	All Metal Parts DC Grounded		

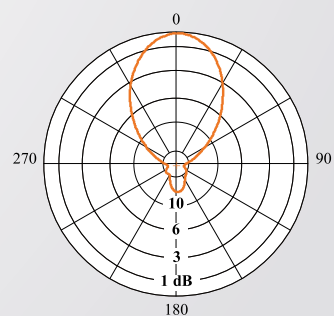
MECHANICAL DATA

DIMENSIONS (mm)	A	3420	3020	2690
	B	1330	1190	1060
	C	1880	1800	1577
	D	2850	2500	2310
WEIGHT (kg)		145	130	120
WIND LOAD (kN) at 150 km/h		3.87	3.47	3.15
MAX WIND VELOCITY		220 km/h		
MATERIALS		Brass, aluminium, stainless steel, hot dip galvanized steel (reflector), teflon, fiberglass (radome)		
ICING PROTECTION		Feed point radome		
RADOME COLOUR		Grey (standard)		
MOUNTING		Directly on supporting mast		

RADIATION PATTERNS (Mid Channel)



E-Plane



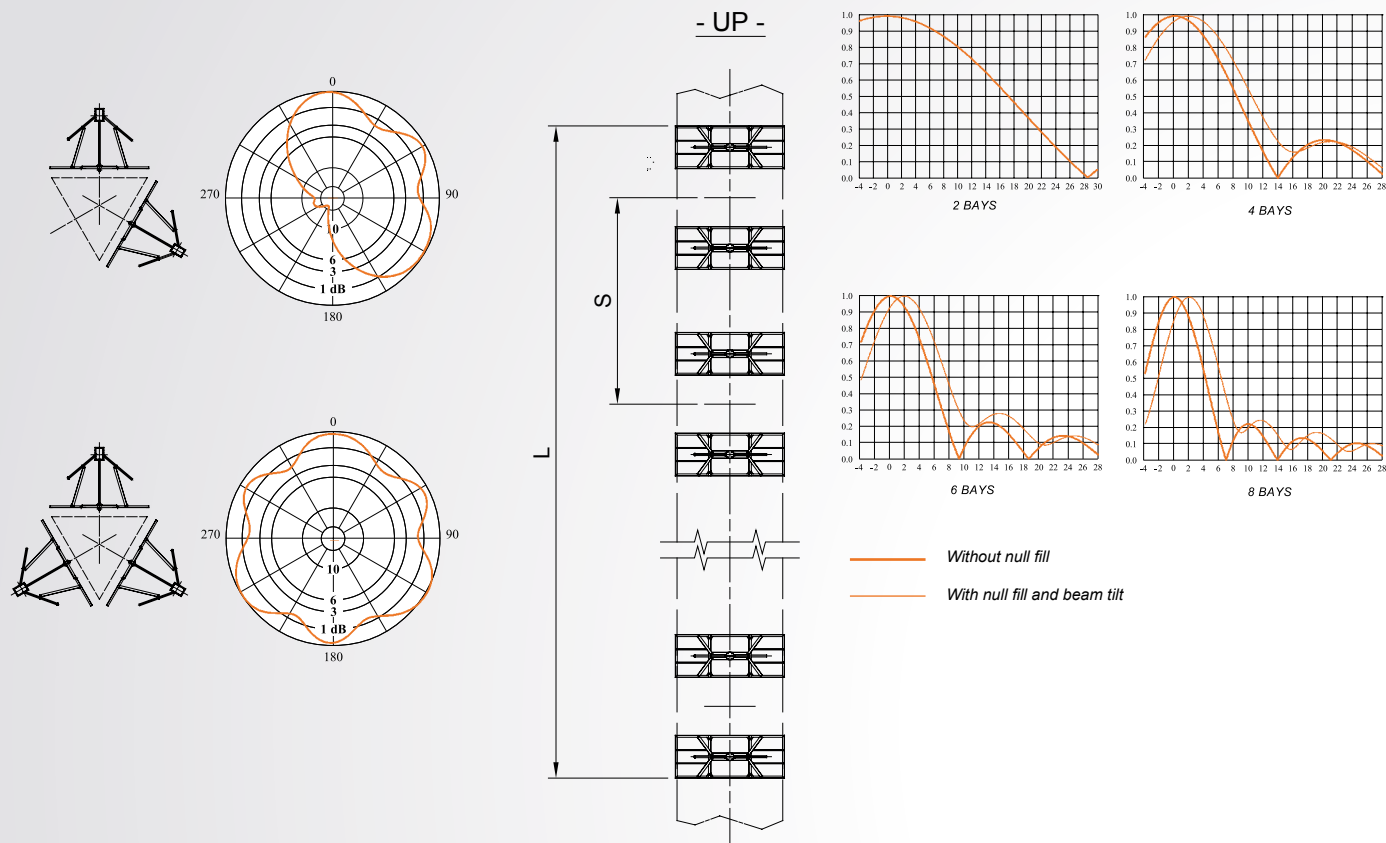
H-Plane

1VTV-04/.C

VHF PANEL ANTENNA

HORIZONTAL PATTERNS WITH 2 AND 3 FACES

VERTICAL PATTERN



TECHNICAL DATA

NUMBER OF BAYS	PANELS PER BAY	GAIN dB (1)	GAIN TIMES (1)	WEIGHT kg (2)			ANTENNA HEIGHT L m (Spacing S in m)			WIND LOAD kN (3)		
				ch.2 47÷54 MHz	ch.3 54÷61 MHz	ch.4 61÷68 MHz	ch.2 47÷54 MHz	ch.3 54÷61 MHz	ch.4 61÷68 MHz	ch.2 47÷54 MHz	ch.3 54÷61 MHz	ch.4 61÷68 MHz
1	2	3.3	2.1	300	270	250	4.15	3.69	3.37	5.9	5.4	5
	3	1.6	1.4	470	425	395						
2	1	9.5	8.9	300	270	250	10.55	9.29	8.37	11.1	10.1	9.3
	2	6.5	4.5	650	590	550	(6.4)	(5.6)	(5.0)	11.8	10.7	9.8
	3	4.8	3.0	1010	920	860				17.7	16.1	14.9
4	1	12.7	18.6	650	590	550	23.35	20.49	18.37	22.5	20.5	19.1
	2	9.7	9.3	1320	1200	1120	(6.4)	(5.6)	(5.0)	23.1	21	19.3
	3	8.0	6.3	1950	1770	1650				35	31.8	29.6
6	1	14.5	28.2	1010	920	860	36.15	31.69	28.37	34.1	31	28.7
	2	11.5	14.1	1950	1770	1650	(6.4)	(5.6)	(5.0)	34.6	31.5	28.8
	3	9.8	9.6	2900	2630	2450				51.5	46.8	44.4
8	1	15.8	38.0	1320	1200	1120	48.95	42.89	38.37	45.7	41.6	38.2
	2	12.8	19.0	2600	2360	2200	(6.4)	(5.6)	(5.0)	46.1	41.9	38.5
	3	11.1	12.9	3800	3440	3200				69.7	63.4	59.2

(1) referred to half wave dipole. Losses of power distribution network not included.

(2) without mounting hardware

(3) v= 150 km/h