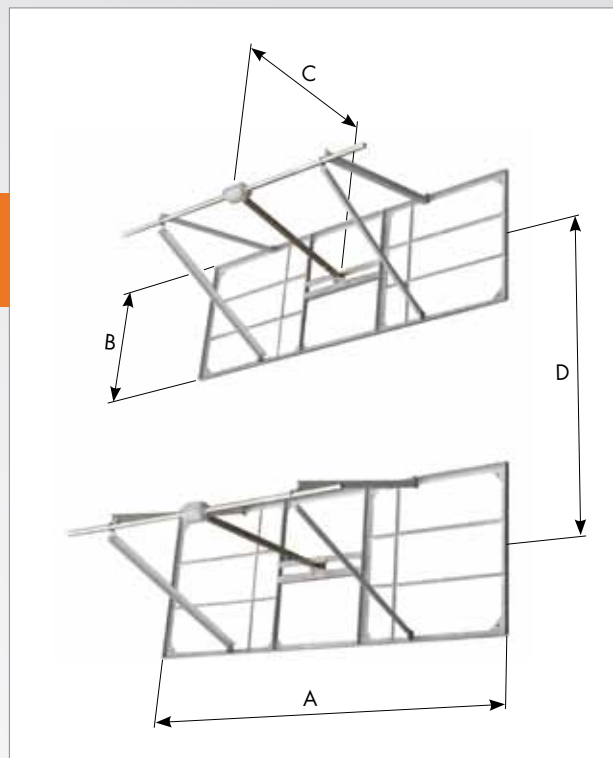


1VTV-05/.C

VHF PANEL ANTENNA

FEATURES

- horizontal polarization
- band I° panel 47 ÷ 68 MHz
- 7.5 dB gain
- directional pattern
- suitable for square towers
- stainless steel dipoles



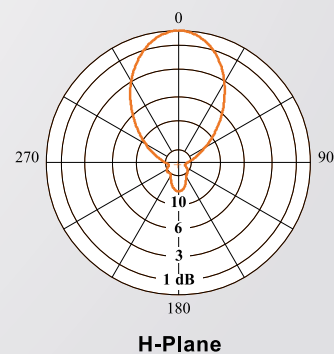
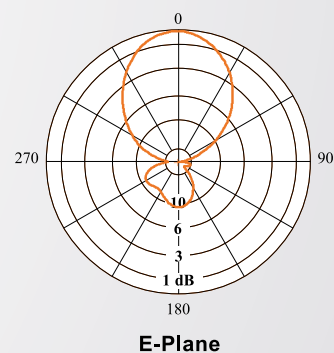
ELECTRICAL DATA

ANTENNA TYPE	1VTV-05/2C	1VTV-05/3C	1VTV-05/4C
FREQUENCY RANGE	47÷54 MHz (channel 2)	54÷61 MHz (channel 3)	61÷68 MHz (channel 4)
IMPEDANCE	50 ohm		
CONNECTOR	2 x 7/8" EIA		
MAX POWER	2 x 2.5 kW		
VSWR	≤ 1.15		
POLARIZATION	Horizontal		
GAIN (referred to half wave dipole)	7.5 dB		
HALF POWER BEAMWIDTH	E-Plane ± 35° H-Plane ± 27°		
LIGHTNING PROTECTION	All Metal Parts DC Grounded		

MECHANICAL DATA

DIMENSIONS (mm)	A	3360	3020	2690
	B	1300	1170	1060
	C	1700	1580	1490
	D	2850	2500	2310
WEIGHT (kg)		145	132	120
WIND LOAD (kN) at 150 km/h		3.78	3.43	3.1
MAX WIND VELOCITY		220 km/h		
MATERIALS		Brass, aluminium, stainless steel, hot dip galvanized steel (reflector), teflon, fiberglass (radome)		
ICING PROTECTION		Feed point radome		
RADOME COLOUR		Grey (standard)		
MOUNTING		Directly on supporting mast		

RADIATION PATTERNS (Mid Channel)

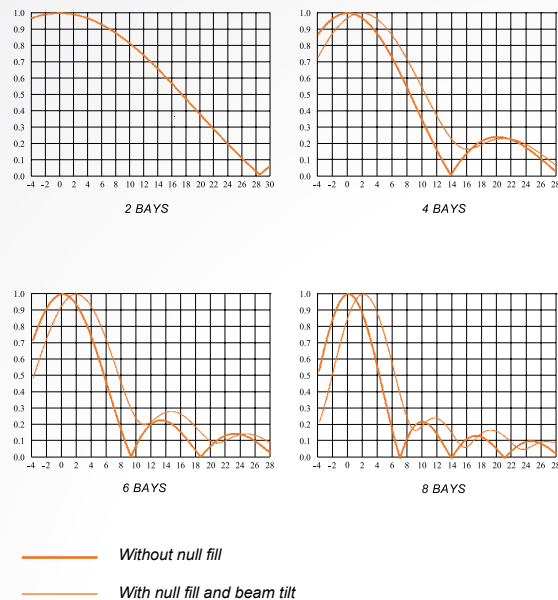
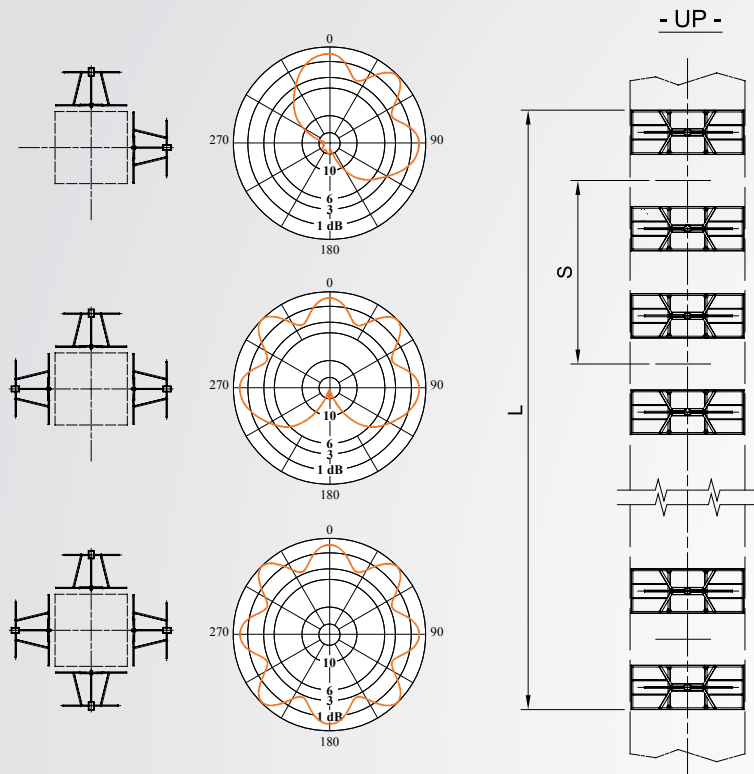


1VTV-05/.C

VHF PANEL ANTENNA

HORIZONTAL PATTERNS WITH 2, 3 AND 4 FACES

VERTICAL PATTERN



TECHNICAL DATA

NUMBER OF BAYS	PANELS PER BAY	GAIN dB (1)	GAIN TIMES (1)	WEIGHT kg (2)			ANTENNA HEIGHT L m (Spacing S in m)			WIND LOAD kN (3)		
				ch.2 47÷54 MHz	ch.3 54÷61 MHz	ch.4 61÷68 MHz	ch.2 47÷54 MHz	ch.3 54÷61 MHz	ch.4 61÷68 MHz	ch.2 47÷54 MHz	ch.3 54÷61 MHz	ch.4 61÷68 MHz
1	2	5.2	3.3	300	270	250				5.8	5.3	4.9
	3	3.6	2.3	470	425	395	4.15	3.69	3.37	8.7	8	7.5
	4	2	1.6	650	590	550				10.7	9.8	8.9
2	1	11.2	13.2	300	270	250				11	10	9.2
	2	8.2	6.6	650	590	550	10.55	9.29	8.37	11.7	10.6	9.7
	3	6.6	4.6	1010	920	860	(6.4)	(5.6)	(5.0)	17.5	16	14.8
4	4	5.2	3.3	1320	1200	1120				21.2	19.6	17.8
	1	14.2	26.3	650	590	550				22.7	20.4	19
	2	11.2	13.2	1320	1200	1120	23.35	20.49	18.37	23.4	20.9	19.2
6	3	9.6	9.1	1950	1770	1650	(6.4)	(5.6)	(5.0)	35	31.7	29.5
	4	8.2	6.6	2600	2360	2200				42.3	38.7	35.4
	1	16	39.8	1010	920	860				34.4	30.9	28.6
8	2	13	20	1950	1770	1650	36.15	31.69	28.37	35.2	31.4	28.7
	3	11.4	13.8	2900	2630	2450	(6.4)	(5.6)	(5.0)	52.6	46.7	44.3
	4	10	10	3800	3440	3200				63.7	58.2	53.2
8	1	17.4	55	1320	1200	1120				46.1	41.5	38.1
	2	14.4	27.5	2600	2360	2200	48.95	42.89	38.37	46.9	41.8	38.4
	3	12.6	18.2	3800	3440	3200	(6.4)	(5.6)	(5.0)	70.1	63.3	59.1
4	11.4	13.8	5000	4520	4200				84.8	77.5	70.9	

(1) referred to half wave dipole. Losses of power distribution network not included.

(2) without mounting hardware

(3) v= 150 km/h