

SmartView 4K



The world's first full resolution Ultra HD broadcast monitor with multi rate 12G-SDI, an extremely bright display with wide viewing angle, plus advanced broadcast features like 3D LUT support, H/V delay, blue only, adjustable frame guides and more! SmartView 4K is compatible with all SD, HD and Ultra HD formats up to 2160p60. With both AC and DC power connections, SmartView 4K can be used in broadcast studios or on set.

\$1,995

Connections

SDI Video Input

2 SDI inputs automatically switch between SD, HD, 3G, 6G and 12G-SDI. Reclocked video output.

Optical Video Input

SFP Optical Fiber connector cage.

SDI Video Output

Automatically switches to input selection.

Multi Rate Support

Auto detection of 4K, 2K, HD or standard definition inputs.

Updates and Configuration

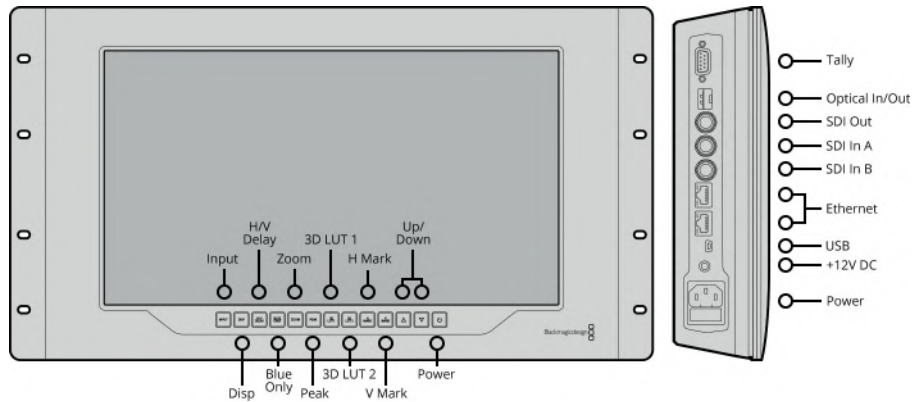
USB

Ethernet

Gigabit ethernet with loop through.

Tally

9-pin D connector



Standards

SDI Format Support

525i59.95 NTSC, 625i25 PAL

HD Format Support

720p50, 720p59.94, 720p60
1080p23.98, 1080p24, 1080p25,
1080p29.97, 1080p30, 1080p50,
1080p59.94, 1080p60
1080PsF23.98, 1080PsF24
1080i50, 1080i59.94, 1080i60

2K Format Support

2K DCI 23.98p, 2K DCI 24p, 2K DCI 25p
2K 23.98PsF, 2K 24PsF, 2K 25PsF

Ultra HD Format Support

2160p23.98, 2160p24, 2160p25,
2160p29.97, 2160p30, 2160p50,
2160p59.94, 2160p60

4K Format Support

4K DCI 23.98p, 4K DCI 24p,
4K DCI 25p, 4K DCI 29.97p,
4K DCI 30p, 4K DCI 50p,
4K DCI 59.94p, 4K DCI 60p

SDI Compliance

SMPTE 259M, SMPTE 292M,
SMPTE 296M, SMPTE 372M,
SMPTE 424M Level B and
SMPTE 425M.

SDI Color Space

REC 601, REC 709

SDI Auto Switching

Automatically selects between SD, HD,
3G, 6G and 12G-SDI.

Video Sampling

4:2:2 and 4:4:4

Software

Internal Software Upgrade

Via included firmware updater software.

Settings Control

Via USB or Ethernet.

Operating Systems



Mac OS X 10.10 Yosemite,
Mac OS X 10.11 El Capitan
or later.



Windows 8.1 or
Windows 10.

Display

Display Element

15.6" TFT Active Matrix LCD

Display Resolution

3840 x 2160 pixels

Response

25 ms

Contrast Ratio

1000:1

Color Depth

16.7 million colors

Power Requirements

Power Supply

Built in IEC 90 - 240V AC power supply,
plus DC input jack for external power.

Power Consumption

24 Watts

Physical Specifications



Environmental Specifications

Operating Temperature
0° to 40° C (32° to 104° F)

Storage Temperature
-20° to 60° C (-4° to 140° F)

Relative Humidity
0% to 90% non-condensing

What's Included

SmartView 4K
SD card with software and manual

Warranty

12 Months Limited Manufacturer's Warranty.

All items on this website are copyright Blackmagic Design Pty. Ltd. 2017, all rights reserved.
All trademarks are property of their respective owners. MSRP excludes sales taxes/duties and shipping costs.

Blackmagic Design Authorized Reseller